

1

2

3

4

5

6

A

A

B

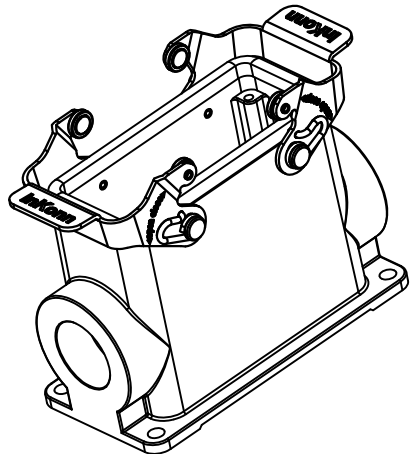
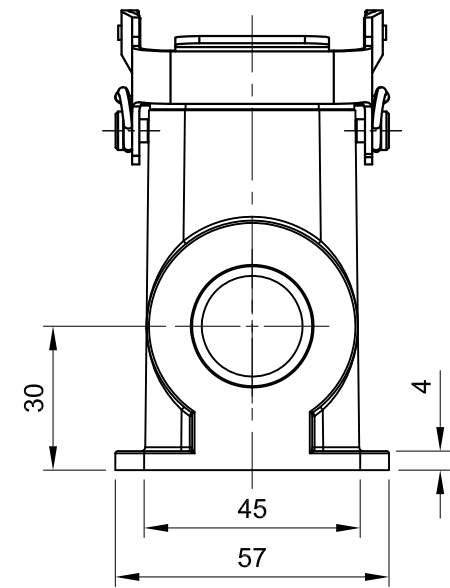
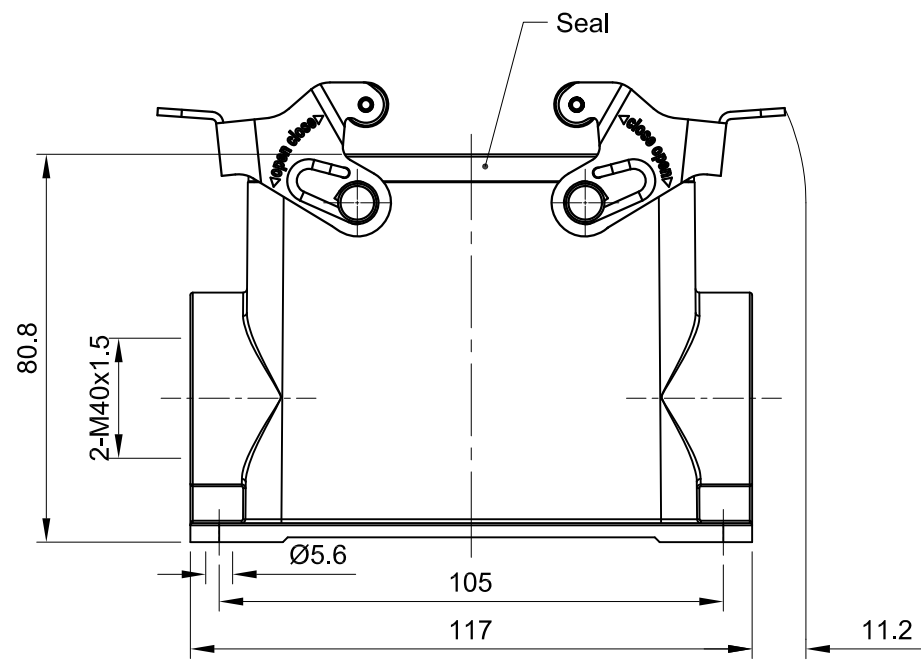
B


C

C

D

D



 InKonn (Suzhou) Electric Technology Co.,Ltd.	All Dimensions in mm Original Size DIN A4	Date 2019-10-14	Drawing No. TC7214772	Rev. A00	Scale 1:1.5
	Part No. 10 12 016 1624	Created by Shuxu Huang	Checked by Yiyi Luo	Page 1/1	Type Name HMB16-HSM-DL/S-2M40

1

2

3

4

5

6